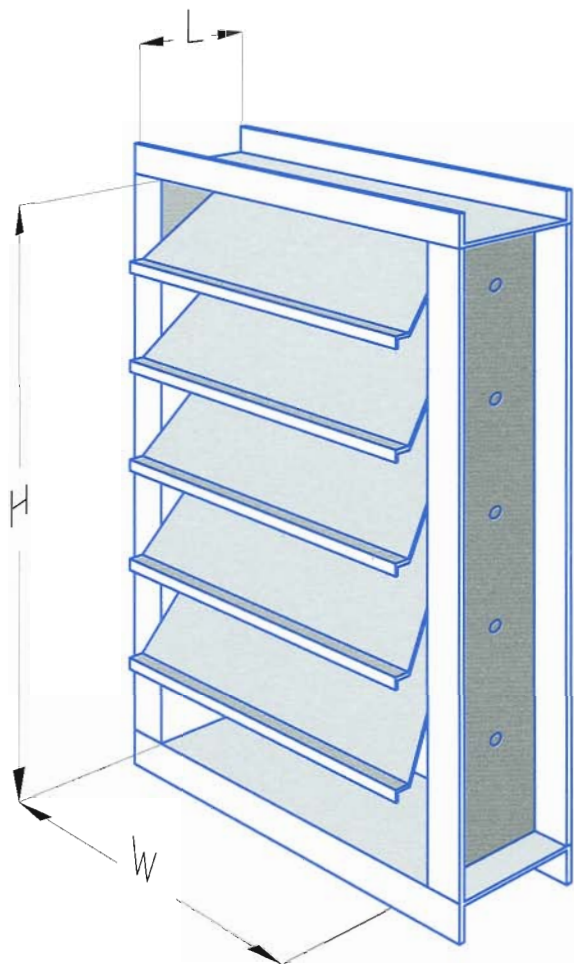


## NON-RETURN DAMPERS



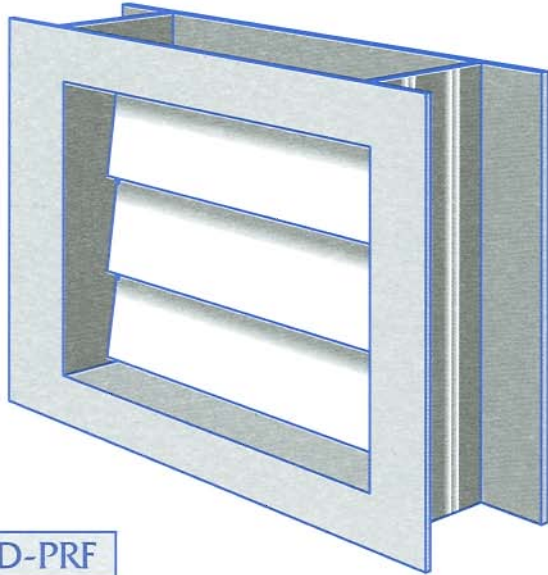
### CONSTRUCTION DETAILS

- 1- FRAME : GALVANIZED GA.18/ALUMINIUM 18 WITH 30mm FLANGED CONNECTIONS.
- 2- BLADES: GA.22 GALVANIZED/ALUMINIUM AS SPECIFIED WITH EDEL SEAL.
- 3- BLADESSTOPPER: GA.18 GALVANIZED/ALUMINUM.
- 4- SHAFTING ROD : 6mm/12mm.

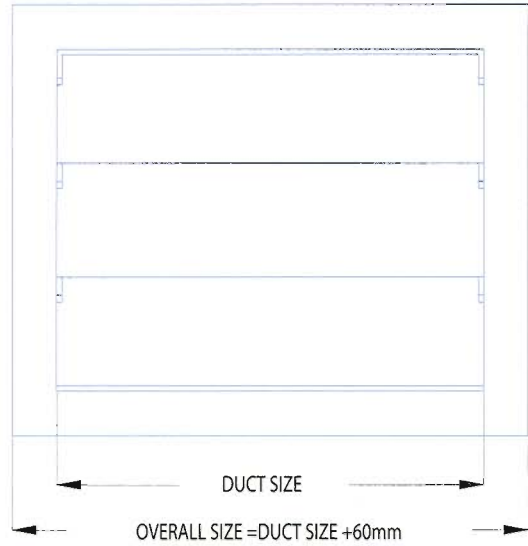


## MODEL D-PRF DIMENSIONAL DATA

### DAMPER PRESSURE RELIEF FLAP



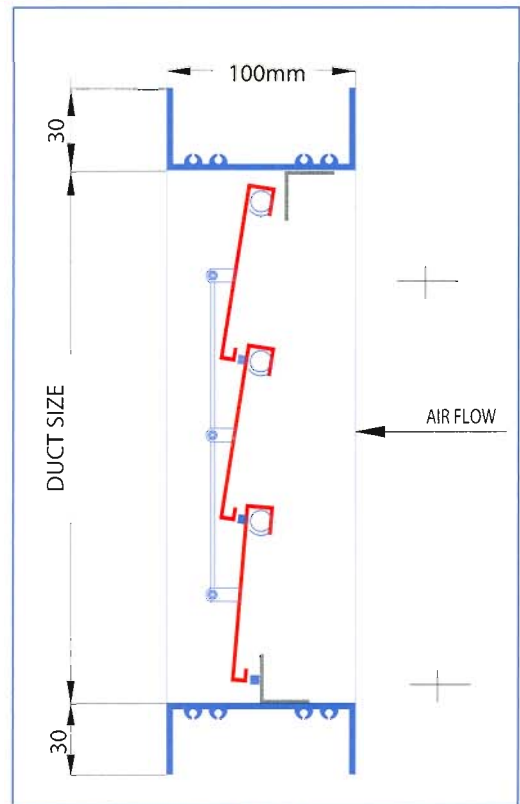
D-PRF



MODEL SUITABLE FOR EITHER VERTICAL OR HORIZONTAL MOUNTING IN LOW PRESSURE, LOW VELOCITY APPLICATIONS. THE 22SWG ALUMINIUM BLADES MOUNTED ON GALVANIZED 6mm/12mm DIA SPINDLES RUNNING IN NYLON BUSHES WILL OPERATE AT MINIMUM PRESSURE.

### RESISTANCE GUIDE

DUCT VELOCITY (m/s)	PRESSURE (n/m) <sup>2</sup>
0.5	7
1.0	12
1.5	17
2.0	21
2.5	24
3.0	28
3.5	32
4.0	37



D-PRF REVERSIBLE/AIR FLOW

### CONSTRUCTION DETAILS

- 1- FRAME : GALVANIZED GA.18/ALUMINIUM 18 WITH 30mm FLANGED CONNECTIONS.
- 2- BLADES : GA.22 GALVANIZED/ALUMINIUM AS SPECIFIED WITH EDGE SEAL.
- 3- BLADES STOPPER : GA.18 GALVANIZED/ALUMINIUM.
- 4- SHAFTING ROD : 6mm/12mm.

