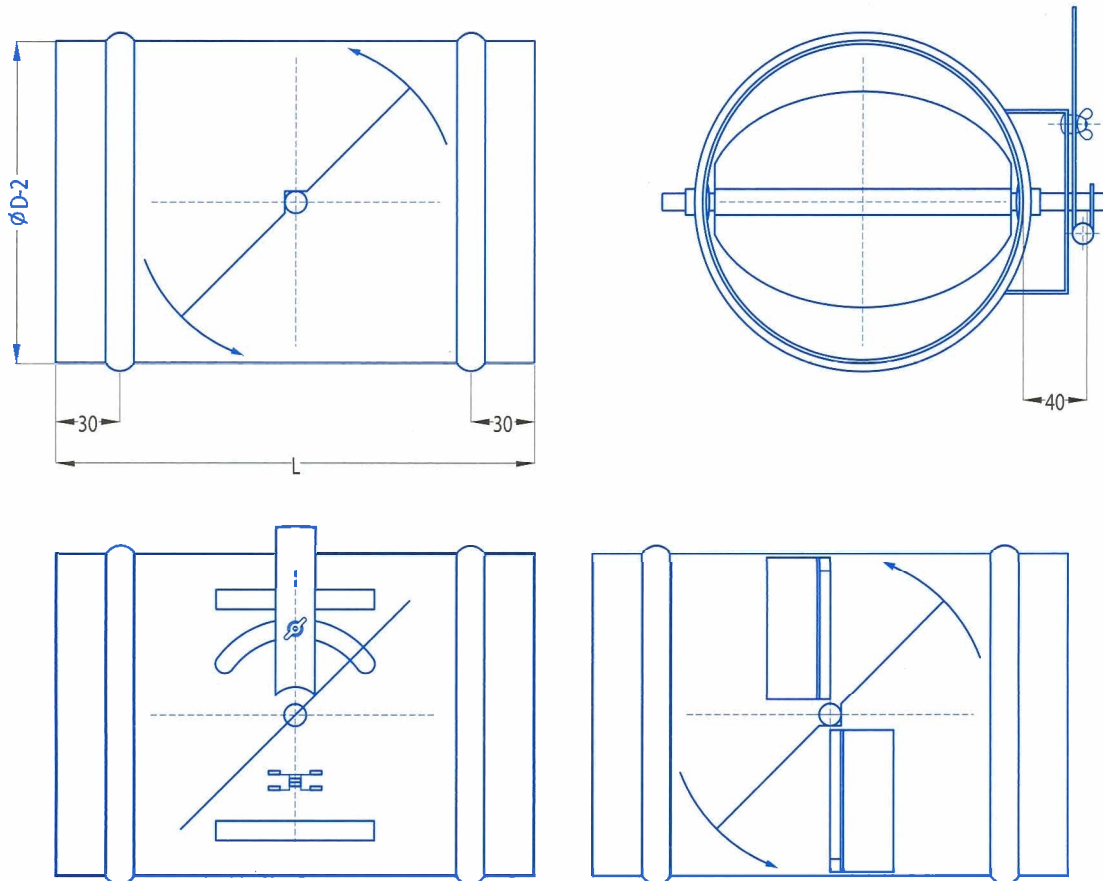


VOLUME CONTROL DAMPERS

BUTTERFLY DAMPERS



CS-C

AIR DIFFUSION (UK) VCD

MANUFACTURED UNDER LICENSE BY GMAMCO EXCLUSIVELY FOR THE GULF MARKET.
THE CS-C VOLUME CONTROL DAMPER IS AN ECONOMICAL ROBUST UNIT.

FEATURES

- CONSTRUCTION : CIRCULAR VOLUME CONTROL DAMPER.
- FRAME AND BLADES MADE FROM GALVANIZED SHEET STEEL OF THICKNESS 1mm/1.2mm/1.5mm THICKNESS, ACCORDING TO DESIGN CONDITIONS.
- ALL JOINTS ARE WELDED AND SEALED FOR AIR TIGHT FUNCTIONING.
- ALL WELDED POINTS ARE PROTECTED BY ALUMINIUM SPRAY COATING.
- DAMPERS ARE MANUFACTURED WITH CONTROL LINKAGE WITH A MANUALLY OPERATED LOCKABLE QUADRANT.